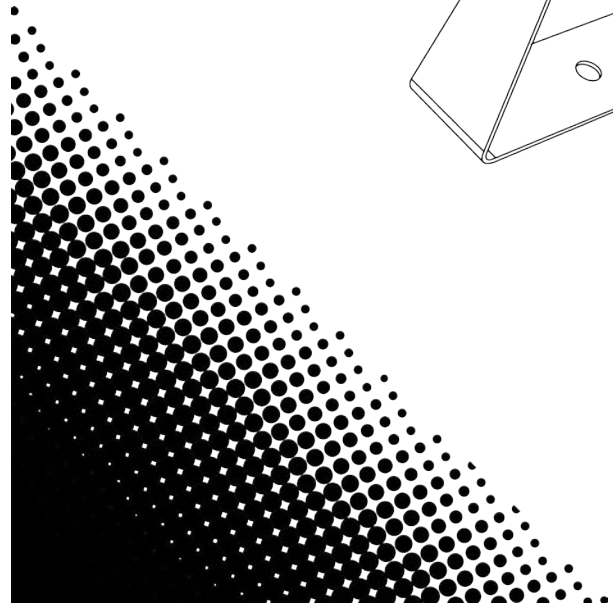
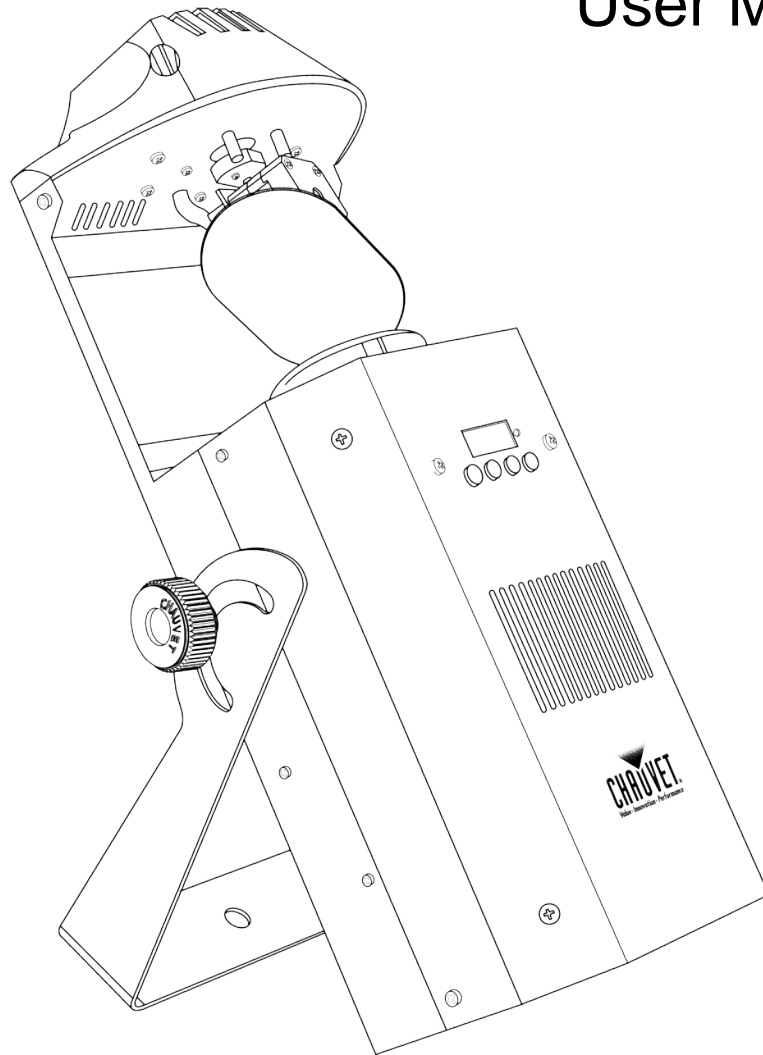


INTIMIDATOR™

SCAN LED 300

User Manual




CHAUVET®
Value • Innovation • Performance
It's Green Thinking

TABLE OF CONTENTS

1. BEFORE YOU BEGIN	3
WHAT IS INCLUDED	3
UNPACKING INSTRUCTIONS	3
MANUAL CONVENTIONS	3
ICONS	3
SAFETY INSTRUCTIONS	4
2. INTRODUCTION	5
PRODUCT DIMENSIONS	5
PRODUCT OVERVIEW	6
3. SETUP	7
AC POWER.....	7
Power Linking.....	7
MOUNTING	8
Orientation.....	8
Rigging	8
4. OPERATING INSTRUCTIONS	9
USING THE CONTROL PANEL	9
MENU MAP	9
CONFIGURING THE STARTING ADDRESS	9
OPERATION	10
DMX Operation	10
Master/Slave Mode (Sound-Active, Auto Mode)	10
Automatic-Slow	10
Automatic-Fast	10
Sound-Active	11
SERVICE MODE.....	11
Hidden Menu Map.....	11
DMX CHANNEL VALUES	12
11-CH Mode.....	12
7-CH Mode.....	13
5. APPENDIX	14
GENERAL TROUBLESHOOTING	14
GENERAL MAINTENANCE	15
RETURNS PROCEDURE	15
CLAIMS	15
TECHNICAL SPECIFICATIONS	16
CONTACT US	17

1. BEFORE YOU BEGIN

What Is Included

- 1 x Intimidator™ Scan LED 300
- 1 x Power Cord
- 1 x Warranty Card
- 1 x User Manual

Unpacking Instructions

Immediately upon receiving a fixture, carefully unpack the carton, check the contents to ensure that all parts are present, and have been received in good condition. Notify the shipper immediately and retain packing material for inspection if any parts appear damaged from shipping or the carton itself shows signs of mishandling. Save the carton and all packing materials. In the event that a fixture must be returned to the factory, it is important that the fixture be returned in the original factory box and packing.




Manual Conventions

CHAUVET® manuals use the following conventions to differentiate certain types of information from the regular text.

CONVENTION	MEANING
[10]	A DIP switch to be configured
<Menu>	A key to be pressed on the fixture's control panel
1~512	A range of values
50/60	A set of values of which only one can be chosen
Settings	A menu option not to be modified (for example, showing the operating mode/current status)
MENU > Settings	A sequence of menu options to be followed
ON	A value to be entered or selected

Icons

This manual uses the following icons to indicate information that requires special attention on the part of the user.

ICONS	MEANING
	This paragraph contains critical installation, configuration or operation information. Failure to comply with this information may render the fixture partially or completely inoperative, cause damage to the fixture or cause harm to the user.
	This paragraph contains important installation or configuration information. Failure to comply with this information may prevent the fixture from functioning correctly.
	This paragraph reminds you of useful, although not critical, information.

Safety Instructions

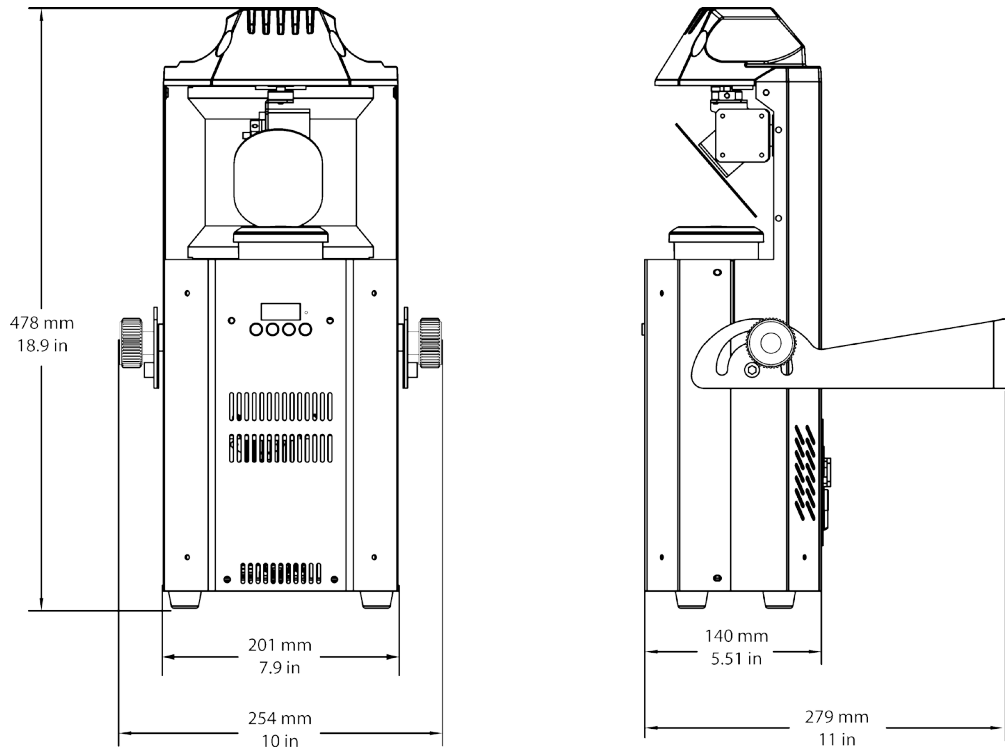


Please read these instructions carefully. It includes important information about the installation, usage and maintenance of this product.

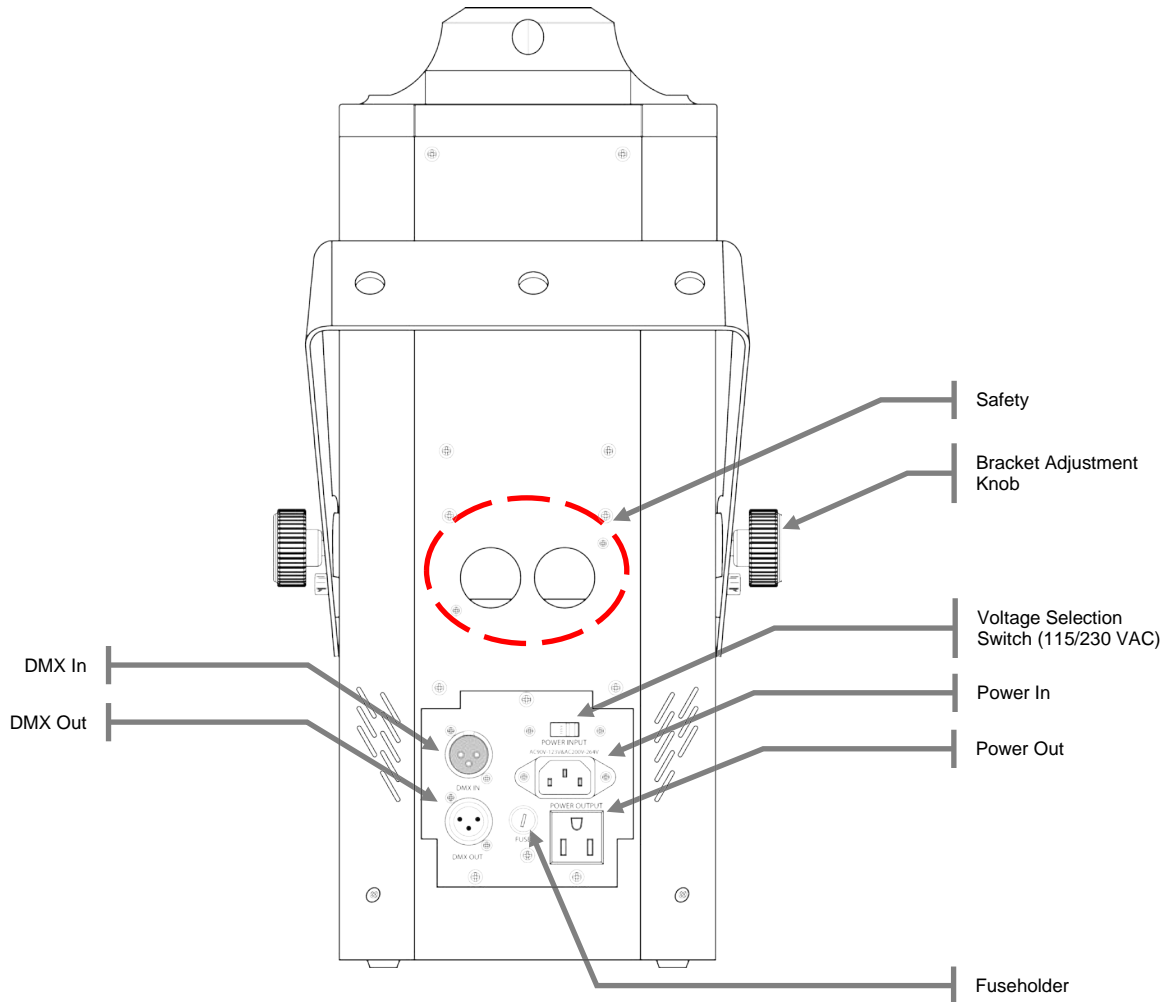
- Please keep this User Manual for future consultation. If you sell the unit to another user, be sure that they also receive this instruction booklet.
- Always make sure that you are connecting to the proper voltage, and that the line voltage you are connecting to is not higher than that stated on the decal or rear panel of the fixture.
- This product is intended for indoor use only! To prevent risk of fire or shock, do not expose fixture to rain or moisture.
- Make sure there are no flammable materials close to the unit while operating.
- The unit must be installed in a location with adequate ventilation, at least 20 in (50 cm) from adjacent surfaces. Be sure that no ventilation slots are blocked.
- Always disconnect from power source before servicing or replacing fuse and be sure to replace with same fuse source.
- Secure fixture to fastening device using a safety chain.
- Maximum ambient temperature (Ta) is 104° F (40° C). Do not operate fixture at temperatures higher than this.
- In the event of a serious operating problem, stop using the unit immediately. Never try to repair the unit by yourself. Repairs carried out by unskilled people can lead to damage or malfunction. Please contact the nearest authorized technical assistance center.
- Never connect the device to a dimmer pack.
- Make sure the power cord is never crimped or damaged.
- Never disconnect the power cord by pulling or tugging on the cord.
- Never carry the fixture directly from the cord. Always use the hanging/mounting bracket.
- Avoid direct eye exposure to the light source while it is on.

2. INTRODUCTION

Product Dimensions



Product Overview



3. SETUP

AC Power

This fixture is switchable and runs on either 115 VAC, 60 Hz or 230 VAC, 50 Hz power. Before powering on the unit, make sure the line voltage to which you are connecting it matches the current setting on the voltage selection switch.

To determine the power requirements for a particular fixture, see the label affixed to the back plate of the fixture or refer to the fixture's specifications chart. A fixture's listed current rating indicates its average current draw under normal conditions.



Always connect the fixture to a switched circuit. Never connect the fixture to a rheostat (variable resistor) or dimmer circuit, even if the rheostat or dimmer channel is used only as a 0 to 100% switch.



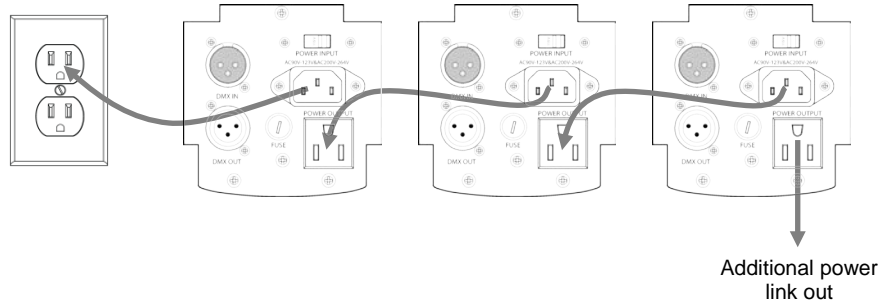
Always connect the fixture to a circuit with a suitable electrical ground.

Power Linking

This fixture contains power linking via the Edison outlet located in front of the power input cable. Please see the diagram below for further explanation.



The maximum quantity of Intimidator™ Scan LED 300 that may be linked is 4.



The power linking shown in this document is for the CHAUVET® North American version ONLY! Therefore, it is the customer's responsibility to check with the Dealer/Distributor regarding power linking on the local version of the product. Connections and availability may change, depending on the power requirements and/or regulations of each country/region.

Mounting

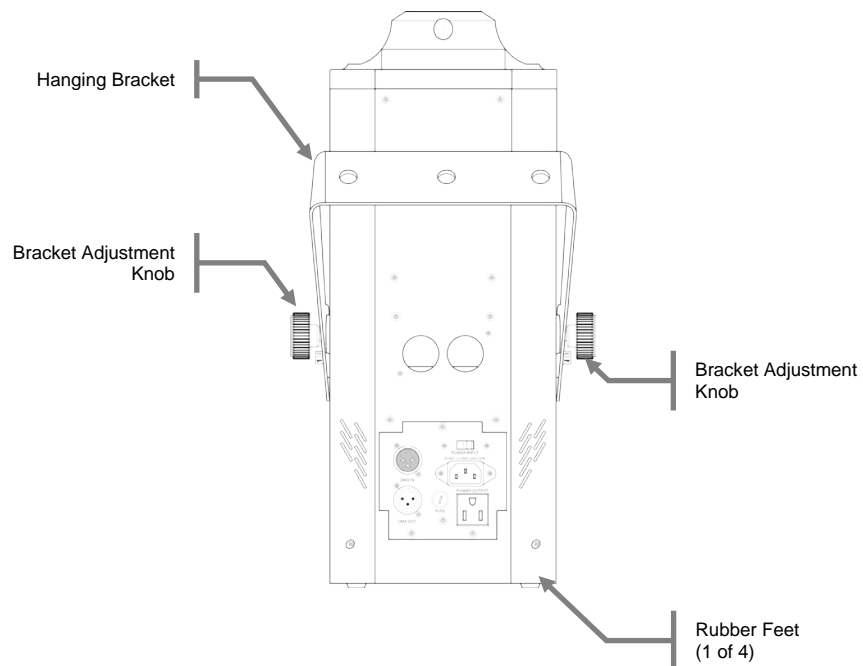
Orientation

The Intimidator™ Scan LED 300 may be mounted in any position provided there is adequate room for ventilation.

Rigging

Be sure that the structure can support the weight of the fixture. Please see the "Technical Specifications" section of this manual for a detailed weight listing. Mount the fixture securely. This may be done with a screw, nut and bolt, or a hanging clamp. The hole in each bracket is 13 mm in size. When rigging, consider routine maintenance and control panel access. Please see the following notes on installation.

- If the power link out is intended to be used with multiple fixture, take into account the length of each power cable, and mount the fixtures close enough to one another to accommodate for this.
- When aiming the fixtures, you may use the bracket/yoke adjustment knob(s). Loosen the knob(s), adjust to the desired angle, and then tighten the knob(s) by turning clockwise. Do not use tools for this step, as it may cause damage.
- Safety cables must always be used.



There are two (2) rigging options available for this product. If using the hanging bracket, then you must use a clamp or a nut & bolt to secure the product. If using the four rubber feet, then the hanging bracket is not necessary and may be removed if you desire.




When the product is in the sitting position (using the four rubber feet), the product must be secured so that it is stable and safe from falling down.


4. OPERATING INSTRUCTIONS

Using the Control Panel

Access control panel functions using the four buttons located directly underneath the LED display on the included wired remote.

BUTTON	FUNCTION
<MODE ESC>	Used to scroll through the current operating mode, as well as back out of the current menu option
<DOWN>	Used to select decreasing advancement in the value
<UP>	Used to select increasing advancement in the value
<ENTER>	Used to select a value and store it to memory





Use the control panel to select the operating mode, as well as the sub-features. For a detailed layout of the control panel functions, please see the “menu map” section on the previous page.

Menu Map

Menu	Programming Steps		Description	
DMX Mode	d001	d001~512	DMX starting address	
Standalone Mode	NASL	NASL		
		SLAU	SoN	Standalone: Slave receive mode
		NStS	SrUn	Standalone: Slow
		NAFA	FASt	Standalone: Sound-active
Pan Invert	PAN	rPAN	Pan invert	
Tilt Invert	tit	rtit	Tilt invert	
Display Invert	diS	rdiS	Invert the display	
DMX Personality	11CH	8CH	8-channel DMX personality	
		11CH	11-channel DMX personality	
Reset	rEst		Reset all motors to correct any errors with motors misaligning during operation	
Load Default	LoAd		Revert all settings back to the factory default	

Configuring the Starting Address

The Intimidator™ Scan LED 300 fixture uses up to **11** DMX channels. In this DMX configuration/personality, the highest channel that the fixture may be set to in order to function properly is **502**. Any address higher than this will prevent access to all of the channels, while in this mode; however, if you desire to use one of the other DMX channels configurations (personalities), please consider the total DMX channels when selecting a DMX address.

The Intimidator™ Scan LED 300 fixture uses **8 or 11** DMX channels, depending on the selected DMX configuration (personality).

Operation

DMX Operation

This is the operating mode which will allow for control with an external DMX controller. You must set the starting address for this mode. If this is your first time using DMX, then it is recommended that you refer to the "DMX Primer" section in the "Appendix" of this manual.

1. Press **<MODE/ESC>** until **d(001~512)** appears on the LED screen.
2. Using **<UP>** and **<DOWN>**, select the starting address **d(001~512)**.
3. Press **<MODE/ESC>** until one of the DMX personalities appears on the LED screen (**8CH, 11CH**). The most recent DMX personality selected will appear.
4. Use **<UP>** and **<DOWN>** to change the personality.
5. Press **<ENTER>**.



Only connect 32 fixtures to a single DMX daisy chain!

Master/Slave Mode (Sound-Active, Auto Mode)

This mode allows a single unit, the master, to operate in one of the standalone modes, while one or more fixtures, slaves, synchronize their responses to the master.

Master:

The master fixture may be set in any of the STANDALONE modes: sound-active, fast, or slow.

Slave:

1. Press **<MODE/ESC>** until **NASL** appears on the LED screen.
2. Using **<UP>** and **<DOWN>** select **<SLAu>**.
3. Press **< ENTER >**. **<Son>** will appear on the screen.



Only connect 31 slave fixtures when operating in this mode!

Automatic-Slow

This fixture has a preprogrammed chase that will operate in a preprogrammed, slow playback speed.

Access this mode via the control panel on the front of the fixture. Please see the instructions below for further explanation.

1. Press **<MODE/ESC>** until one of the standalone modes appears on the LED screen (**SLAv, NStS, NAFA, NASL**).
2. Using **<UP>** and **<DOWN>**, select **NASL**.
3. Press **<ENTER>**. **<SLoU>** will appear.

Automatic-Fast

This fixture has a preprogrammed chase that will operate in a preprogrammed, fast playback speed.

Access this mode via the control panel on the front of the fixture. Please see the instructions below for further explanation.

1. Press **<MODE/ESC>** until one of the standalone modes appears on the LED screen (**SLAv, NStS, NAFA, NASL**).
2. Using **<UP>** and **<DOWN>**, select **NAFA**.
3. Press **<ENTER>**. **<FASt>** will appear on the screen.

Sound-Active

This fixture has a preprogrammed, sound triggered chase.

Access this via the control panel on the front of the fixture. Please see the chart below for further explanation.

1. Press **<MODE/ESC>** until one of the standalone modes appears on the LED screen (**SLAv**, **NStS**, **NAFA**, **NASL**).
2. Using **<UP>** and **<DOWN>**, select **NStS**.
3. Press **<ENTER>**. **<SrUn>** will appear on the screen.



The microphone will only respond to low frequencies (bass).

Service Mode

Hidden Menu Map

This fixture has a hidden menu. The purpose of this menu is to adjust the home position (electronic adjustment) of the attributes listed below.

MAIN FUNCTION	SELECTION	INSTRUCTION
P128	000~255	Adjustment for pan
t128	000~255	Adjustment for tilt
G128	000~255	Adjustment for the gobo wheel
r128	000~255	Adjustment for the gobo wheel rotation
C128	000~255	Adjustment for the color wheel
F128	000~255	Adjustment for the focus

Please see the instructions below to access this hidden menu:

1. Press **< MODE/ESC >** for at least 10 seconds.
2. Using **<UP/DOWN>**, enter the following pass code: "2323". Press **<UP>** to change the blinking digit in ascending order, and press **<DOWN>** to move on to the next digit.
3. Press **<ENTER>**.



This mode will be automatically terminated after 10 seconds of being idol.

DMX Channel Values

11-CH Mode

CHANNEL	VALUE	FUNCTION	CHANNEL	VALUE	FUNCTION								
1	000 ⇔ 255	Pan 0°~180°	7	000 ⇔ 015 016 ⇔ 127 128 ⇔ 239 240 ⇔ 255	Gobo Rotation Stop Rotate Counter-clockwise (slow ⇔ fast) Rotate Clockwise (slow ⇔ fast) Gobo bounce								
		2			000 ⇔ 255	Tilt 0°~90°	8	000 ⇔ 003 004 ⇔ 255	Prism Open Stop, static prism effect				
3	000 ⇔ 006 007 ⇔ 013 014 ⇔ 020 021 ⇔ 027 028 ⇔ 034 035 ⇔ 041 042 ⇔ 048 049 ⇔ 055 056 ⇔ 063 064 ⇔ 070 071 ⇔ 077 078 ⇔ 084 085 ⇔ 091 092 ⇔ 098 099 ⇔ 105 106 ⇔ 112 113 ⇔ 119 120 ⇔ 127 128 ⇔ 191 192 ⇔ 255		Color Open (white) Yellow Pink Green Peachblow Blue Kelly Red Dark blue White/yellow (split colors) Yellow/pink (split colors) Pink/green (split colors) Green/peach blow (split colors) Peachblow/blue (split colors) Blue/Kelly (split colors) Kelly/red (split colors) Red/dark blue (split colors) Dark blue/white (split colors) Rotate clockwise (slow ~ fast) Rotate counter-clockwise (slow ~ fast)	9		0 ⇔ 255			Focus Near ⇔ Far				
		4	000 ⇔ 003 004 ⇔ 007 008 ⇔ 215 216 ⇔ 255		Shutter Closed Open Strobe (slow ~ fast) Open		10	000 ⇔ 007 008 ⇔ 015 016 ⇔ 023 024 ⇔ 031 032 ⇔ 039 040 ⇔ 047 048 ⇔ 055 056 ⇔ 087 088 ⇔ 095 096 ⇔ 103 104 ⇔ 111 112 ⇔ 119 120 ⇔ 127 128 ⇔ 135 136 ⇔ 143 144 ⇔ 151 152 ⇔ 159 160 ⇔ 255	Function No function Pan/tilt move-in-black Pan/tilt move-in-black (disable) Color wheel move-in-black Color wheel move-in-black (disabled) Gobo wheel move-in-black Gobo wheel move-in-black (disabled) No Function All movement move-in-black (disabled) Reset pan/tilt No Function Reset color wheel Reset gobo wheel No Function Reset prism Reset focus Reset all No function				
					5				000 ⇔ 255	Dimmer Dimmer: 0%~100%	11	000 ⇔ 007 008 ⇔ 023 024 ⇔ 039 040 ⇔ 055 056 ⇔ 071 072 ⇔ 087 088 ⇔ 103 104 ⇔ 119 120 ⇔ 135 136 ⇔ 151 152 ⇔ 167 168 ⇔ 183 184 ⇔ 199 200 ⇔ 215 216 ⇔ 231 232 ⇔ 247 248 ⇔ 255	Movement Macros No function Automatic 1 Automatic 2 Automatic 3 Automatic 4 Automatic 5 Automatic 6 Automatic 7 Automatic 8 Sound 1 Sound 2 Sound 3 Sound 4 Sound 5 Sound 6 Sound 7 Sound 8
										6			000 ⇔ 007 008 ⇔ 015 016 ⇔ 023 024 ⇔ 031 032 ⇔ 039 040 ⇔ 047 048 ⇔ 055 056 ⇔ 063 064 ⇔ 071 072 ⇔ 079 080 ⇔ 087 088 ⇔ 095 096 ⇔ 103 104 ⇔ 111 112 ⇔ 119 120 ⇔ 127 128 ⇔ 191 192 ⇔ 255



1



2



3



4



5



6



7

7-CH Mode

CHANNEL	VALUE	FUNCTION	CHANNEL	VALUE	FUNCTION
1	000 ⇔ 255	Pan 0°~180°	6	000 ⇔ 015	Gobo Rotation Stop Rotate Counter-clockwise (slow ⇔ fast) Rotate Clockwise (slow ⇔ fast) Gobo bounce
2	000 ⇔ 255	Tilt 0°~90°		016 ⇔ 127	
				128 ⇔ 239	
3	000 ⇔ 006	Open (white)	7	000 ⇔ 003	Prism Open Stop, static prism effect
	007 ⇔ 013	Yellow			
	014 ⇔ 020	Pink			
	021 ⇔ 027	Green			
	028 ⇔ 034	Peachblow			
	035 ⇔ 041	Blue			
	042 ⇔ 048	Kelly			
	049 ⇔ 055	Red			
	056 ⇔ 063	Dark blue			
	064 ⇔ 070	White/yellow (split colors)			
	071 ⇔ 077	Yellow/pink (split colors)			
	078 ⇔ 084	Pink/green (split colors)			
	085 ⇔ 091	Green/peach blow (split colors)			
	092 ⇔ 098	Peachblow/blue (split colors)			
	099 ⇔ 105	Blue/Kelly (split colors)			
	106 ⇔ 112	Kelly/red (split colors)			
	113 ⇔ 119	Red/dark blue (split colors)			
120 ⇔ 127	Dark blue/white (split colors)				
128 ⇔ 191	Rotate clockwise (slow ~ fast)				
192 ⇔ 255	Rotate counter-clockwise (slow ~ fast)				
4	000 ⇔ 003	Shutter Closed	8	0 ⇔ 255	Focus Near ⇔ Far
	004 ⇔ 007	Open			
	008 ⇔ 215	Strobe (slow ~ fast)			
	216 ⇔ 255	Open			
5	000 ⇔ 007	Gobo Wheel Open			
	008 ⇔ 015	Gobo 1 (glass)			
	016 ⇔ 023	Gobo 2 (glass)			
	024 ⇔ 031	Gobo 3			
	032 ⇔ 039	Gobo 4			
	040 ⇔ 047	Gobo 5			
	048 ⇔ 055	Gobo 6			
	056 ⇔ 063	Gobo 7			
	064 ⇔ 071	Gobo 7 shake, fast to slow			
	072 ⇔ 079	Gobo 6 shake, fast to slow			
	080 ⇔ 087	Gobo 5 shake, fast to slow			
	088 ⇔ 095	Gobo 4 shake, fast to slow			
	096 ⇔ 103	Gobo 3 shake, fast to slow			
	104 ⇔ 111	Gobo 2 (glass) shake, (fast ⇔ slow)			
	112 ⇔ 119	Gobo 1 (glass) shake, (fast ⇔ slow)			
	120 ⇔ 127	Open			
	128 ⇔ 191	Gobo scroll: Clockwise rotation			
192 ⇔ 255	Gobo scroll: Counter-clockwise rotation				



1



2



3



4



5



6



7

5. APPENDIX

General Troubleshooting

SYMPTOM	POSSIBLE CAUSE(S)	POSSIBLE ACTION(S)
Breaker/Fuse keeps blowing	Excessive circuit load	Check total load placed on the electrical circuit.
	Short circuit along the power wires	Check for a short in the electrical wiring (internal and/or external).
Device does not power up	No power	Check for power on Mains.
	Loose power cord	Check power cord
Fixture is not responding to DMX	Wrong DMX addressing	Check Control Panel and unit addressing
	Damaged DMX cables	Check DMX cables
	Wrong polarity settings on the controller	Check polarity switch settings on the controller
	Loose DMX cables	Check cable connections
	Faulty DMX interface	Replace DMX input
Loss of signal	Faulty Main PCB	Replace Main PCB
	Non DMX cables	Use only DMX compatible cables
	Bouncing signals	Install terminator as suggested.
	Long cable / Low level signal	Install amplifier right after fixture with strong signal.
	Too many fixtures	Install an optically coupled DMX splitter after unit #32.
	Interference from AC wires	Keep DMX cables separated from power cables or black lights.



If you still have a problem after trying the above solutions, please contact CHAUVET® Technical Support.

General Maintenance

To maintain optimum performance and minimize wear, fixtures should be cleaned frequently. Usage and environment are contributing factors in determining frequency. As a general rule, fixtures should be cleaned at least twice a month. Dust build up reduces light output performance and can cause overheating. This can lead to reduced lamp life and increased mechanical wear. Be sure to power off fixture before conducting maintenance.

- Unplug fixture from power.
- Use a vacuum or air compressor and a soft brush to remove dust collected on external vents.
- Clean all lenses when the fixture is cool with a mild solution of glass cleaner or Isopropyl Alcohol and a soft lint free cotton cloth or lens tissue.
- Apply solution to the cloth or tissue and drag dirt and grime to the outside of the lens.
- Gently polish optical surfaces until they are free of haze and lint.

The cleaning of external optical lenses and/or mirrors must be carried out periodically to optimize light output. Cleaning frequency depends on the environment in which the fixture operates. Damp, smoky or particularly dirty surroundings can cause greater accumulation of dirt on the unit's optics. Clean with soft cloth using normal glass cleaning fluid. Clean the external optics at least every 20 days. Clean the fixture at least every 30/60 days.



Always dry the parts carefully after cleaning them.



Never spin a fan using compressed air.

Returns Procedure

Returned merchandise must be sent prepaid and in the original packing; call tags will not be issued. Package must be clearly labeled with a Return Merchandize Authorization Number (RMA #). Products returned without the RMA # will be refused. Call CHAUVET® and request an RMA # prior to shipping the fixture. Be prepared to provide the model number, serial number and a brief description of the cause for the return. Be sure to pack fixture properly; any shipping damage resulting from inadequate packaging is the customer's responsibility. As a suggestion, proper UPS packing or double-boxing is always a safe method to use. CHAUVET® reserves the right to use its own discretion to repair or replace product(s).



If you are given an RMA #, please include the following information on a piece of paper inside the box:

- 1) ***Your name***
- 2) ***Your address***
- 3) ***Your phone number***
- 4) ***The RMA #***
- 5) ***A brief description of the symptoms***

Claims

Damage incurred in shipping is the responsibility of the shipper; therefore, the damage must be reported to the carrier upon receipt of merchandise. It is the customer's responsibility to notify and submit claims with the shipper in the event that a fixture is damaged due to shipping. Any other claim for items such as missing component/part, damage not related to shipping, and concealed damage, must be made within seven (7) days of receiving merchandise.

TECHNICAL SPECIFICATIONS

WEIGHT & DIMENSIONS

Length..... 11 in (279 mm)
Width..... 10 in (254 mm)
Height..... 18.9 in (478 mm)
Weight..... 14.7 lbs (6.7 kg)

GOBO SIZE

Outside..... 23.8 mm
Inside 20.9 mm
Thickness (max)..... 2 mm

MOVEMENT RANGE

Pan..... 180°
Tilt 90°

POWER

Switchable (230 V only for Europe) 115/230 VAC, 50/60 Hz
Power consumption @ 120 V 105 W (2.1 A) max
Power consumption @ 230 V 149 W (1.1 A) max
Power output..... 4 units max

LIGHT SOURCE

Type high-power, single source LED
Quantity..... 1 (white)
Rating (red, green, blue)..... (60 W) 14.9 A, 50,000 hrs

PHOTO OPTIC

Lux 9.650 @ 1 m
Beam angle..... 21°

INDOOR/OUTDOOR

Rating..... For indoor use only

THERMAL

Maximum ambient temperature 104° F (40° C)

CONTROL & PROGRAMMING

Data input..... locking 3-pin XLR male socket
Data output locking 3-pin XLR female socket
Data pin configuration pin 1 shield, pin 2 (-), pin 3 (+)
Protocols DMX-512 USITT
DMX Channels (user-configurable) 8 or 11

ORDERING INFORMATION

Intimidator™ Scan LED 300 INTIMIDATORSCANLED300

APPROVALS

ETL USA & Canada



UL 1573
CSA C22.2 No. 166
E113093

CONTACT Us

World Wide

General Information

CHAUVET®
5200 NW 108th Ave
Sunrise, FL 33351
voice: 954.929.1115
fax: 954.929.5560
toll free: 800.762.1084

Technical Support

CHAUVET®
5200 NW 108th Ave
Sunrise, FL 33351
voice: 954.929.1115 (**Press 4**)
fax: 954.929.5560 (**Attention: Service**)

World Wide Web

www.chauvetlighting.com